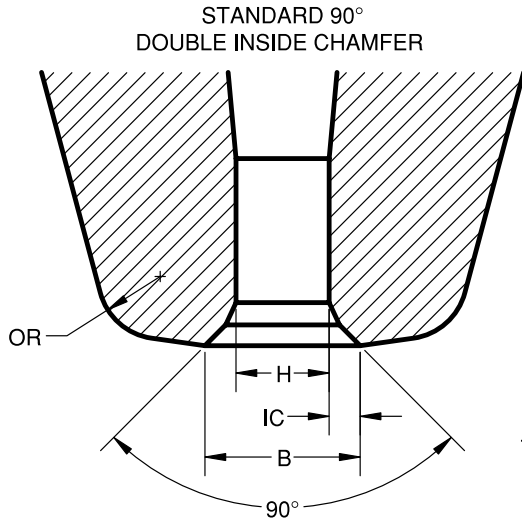
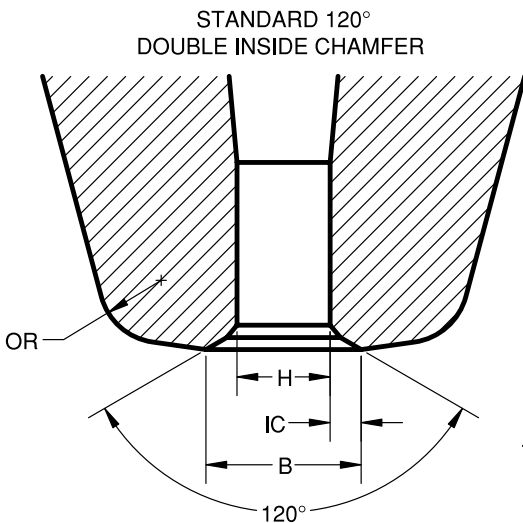
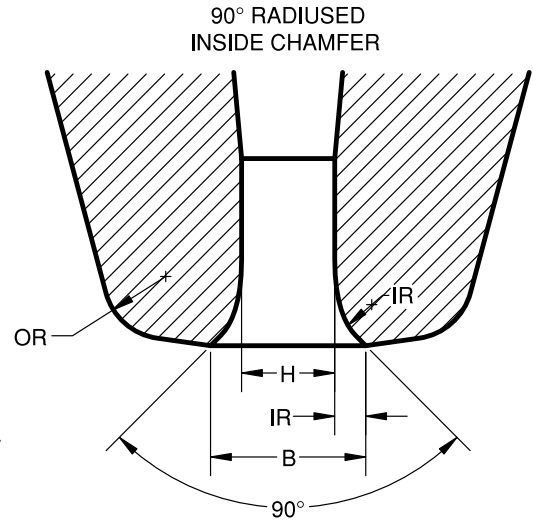


The standard 90° and 120° double inside chamfer capillaries are also available with an optional radiused inside chamfer at a moderate additional cost. The inside radius enhances wire control and looping characteristics. It also helps to alleviate

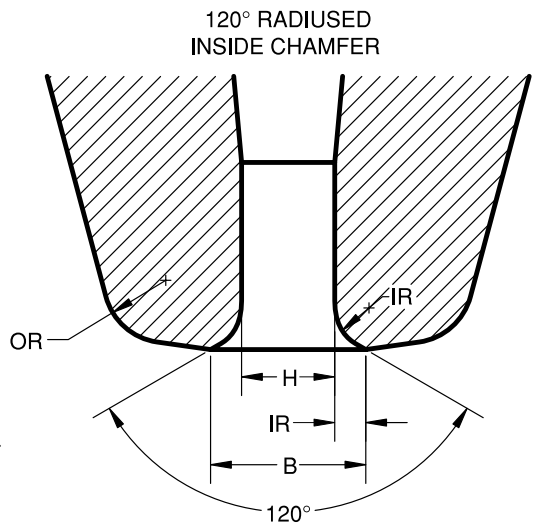
sagging and wavy wires in long loop, low loop, high speed automated, and fine pitch bonding applications. This is the same radiused inside chamfer design featured in the 1520 and 1590 fine pitch series.



| STANDARD SERIES | INSIDE RADIUS (IR) EQUIVALENTS |
|-----------------|--------------------------------|
| 1513N | 1523N |
| 1572N | 1522N |
| 1574 | 1524 |
| 1570 | 1521 |



| STANDARD SERIES | INSIDE RADIUS (IR) EQUIVALENTS |
|-----------------|--------------------------------|
| 1513 | 1523 |
| 1572 | 1522 |
| 1574N | 1524N |
| 1570N | 1521N |



Note: If a radiused equivalent is not specified above for the desired series, specify “-BLIC” in the part number.